



## SPECIFICATION FOR APPROVAL

# 规格说明书

CUSTOMER'S CODE

本厂代码:

DESCRIPTION

品 名: 25mm 金属按钮

SPECIFICATION

规 格 : 25MM

DATE

编制日期: 2019年5月10日

PART NO.

本厂型号: FLM25-HJ- 1

REFERENCE No.

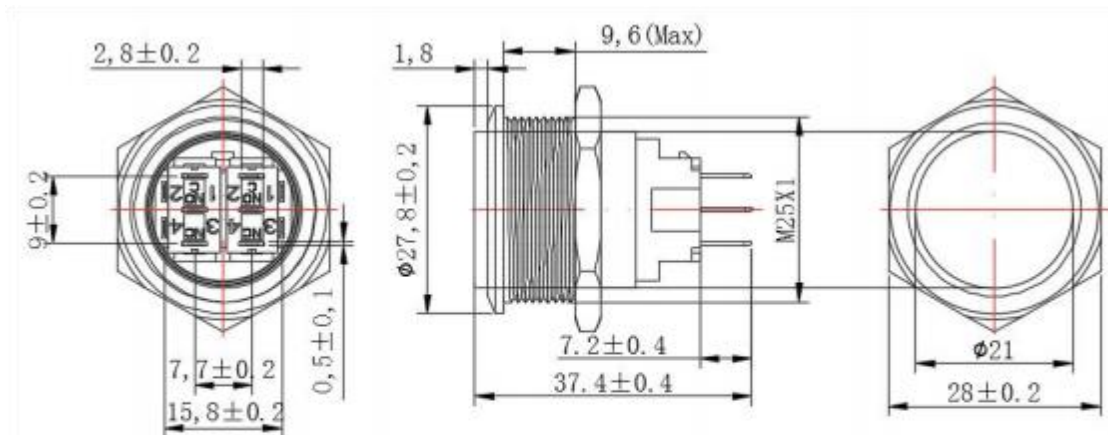
档案编号:

Approved By Customer	Qualified By	Form Designer
编 制	审 核	批 准
陈勇	陈永强	林银福

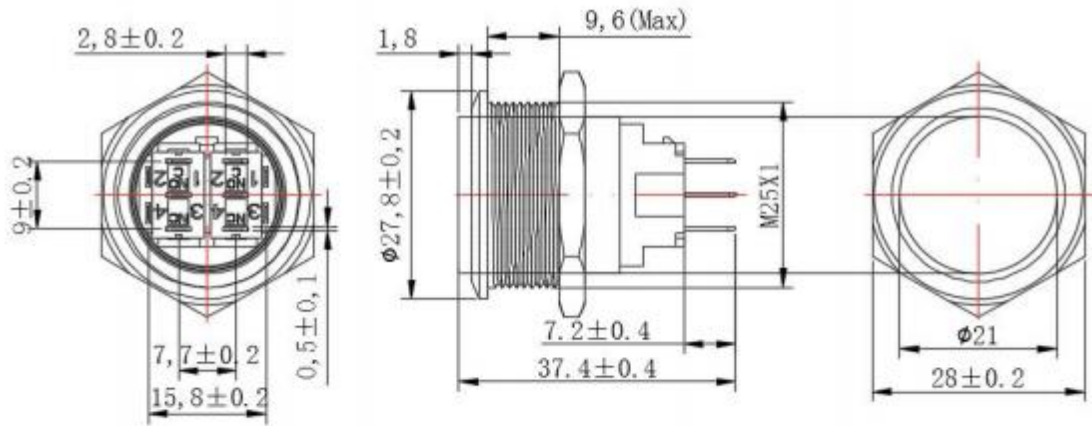
1. 图片 Picture:



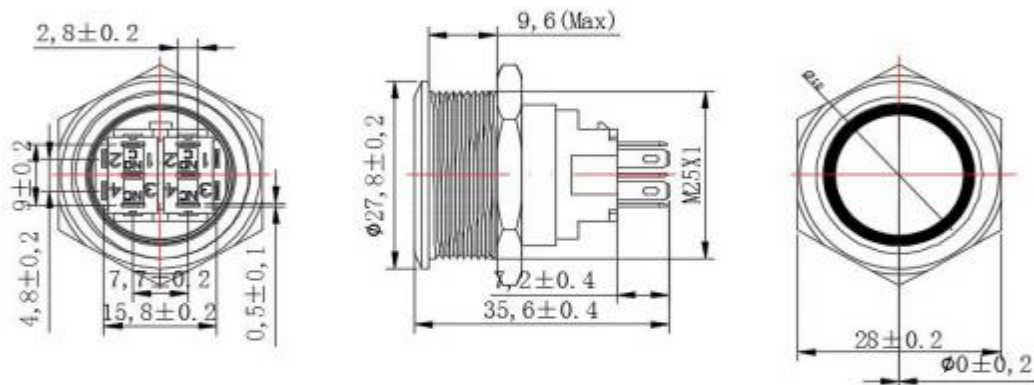
2. 图纸 drawing



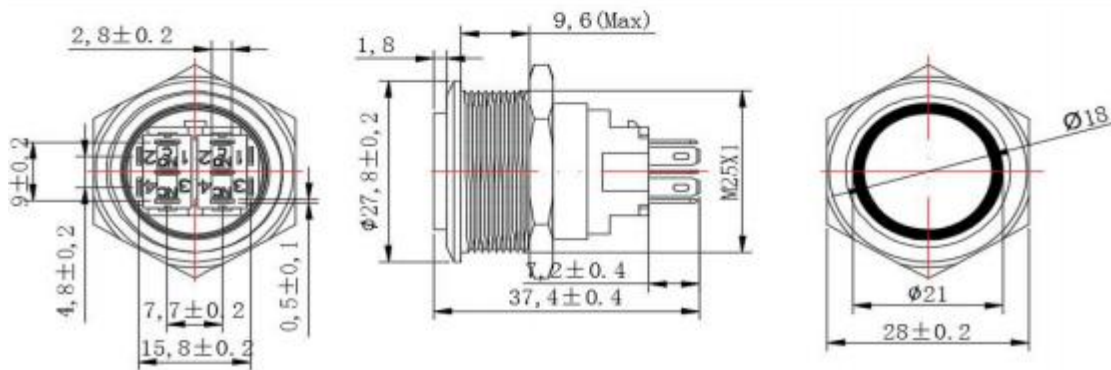
25MM高头自复/自锁插脚按钮



## 25MM高头自复/自锁插脚按钮



## 25MM平头环形自复/自锁插脚按钮



## 25MM高头环形自复/自锁插脚按钮

**3 component material**

配 件 名 Component name	材料 material
导光按键 Guide button	PC 塑料 PC plastic
金属壳 Metal body	254 不锈钢 254 stainless steel
按钮引脚 Button pin	H62 黄铜 H62 nickel plated brass
防水圈 rubber ring	SIL 硅胶 SIL silica gel
螺帽 nut	H59 黄铜 H59 nickel plated brass
灯座 housing	PA66 阻燃尼龙 PA66 nylon
光源 Light source	LED LED 灯
电阻 Resistor	金属膜电阻 Metal film
触点 contact	银触点 Silver contacts

**4 performance parameter**

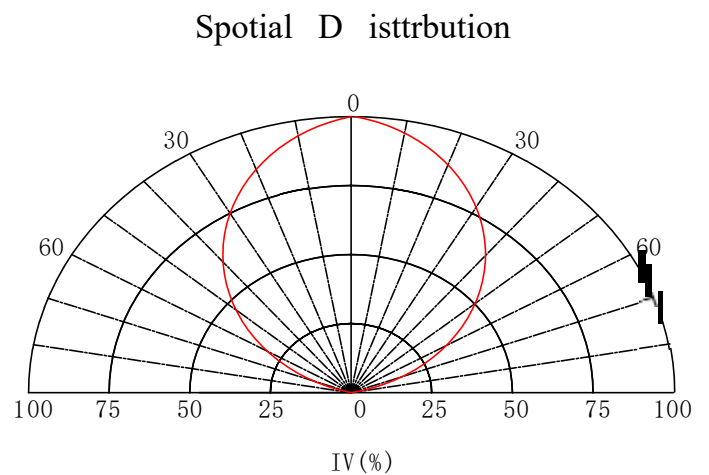
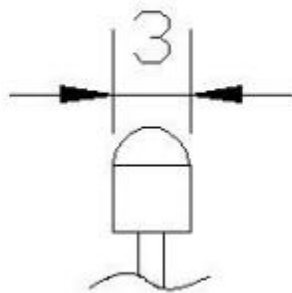
项目 items	参数 parameter
开关额定电压 Rated voltage	220V AC
指示灯额定电压 Lamp rated voltage	220V
开关额定电流 rated current	3A
指示灯额定电流 Lamp Rated Current	20mA
额定功率 rated power	660W
绝缘耐压 Insulation and voltage resistance	2000V
机械寿命 working life	1000000 次以上
电气寿命 electrical life	100000 次以上
耐寒 cold-resistant	-20℃
耐热 heat-resisting	85℃
指示灯颜色 Silver indicator color	红蓝绿黄白色

#### 4. Detailed Picture :



#### 5. LED Specification:

##### ■ Emitter



### ■ Absolute Maximum Rating

参数 Parameter	符号 Symbol	单位 Unit	极限参数 Maximum Rating
耗散功率 Power Dissipation	P	MW	60
连续正向电流 Continuous Forward Current	I <sub>F</sub>	MA	25
反向电压 Reverse Voltage	V <sub>R</sub>	V	5
工作温度范围 Operating Temperature Range	Top	°C	-25 to +80
存放温度范围 Storage Temperature Range	Tst	°C	-25 to +90
最高焊接温度 Soldering Temperature	Tso	°C	260 (for 5 second)

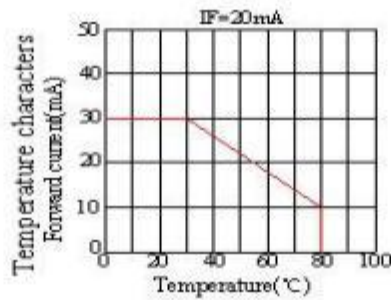
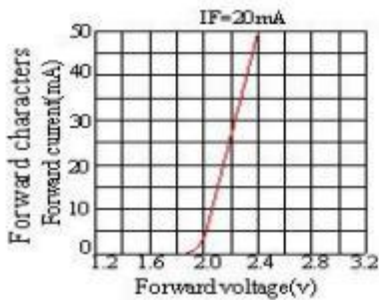
\*Ifp Conditions: Pulse Wide ≤10msec ≤1/10

瞬间脉冲电流

\*Tsol Conditions: 3mm from the base of epoxy bulb

最高焊接温度 距胶体 3mm

### Typical electrical-optical Characteristics curves

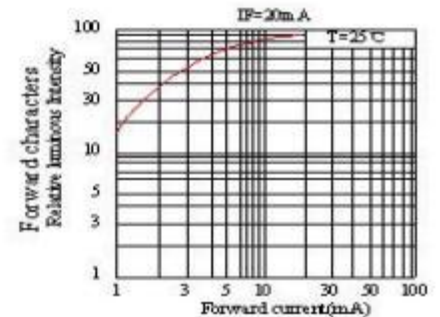
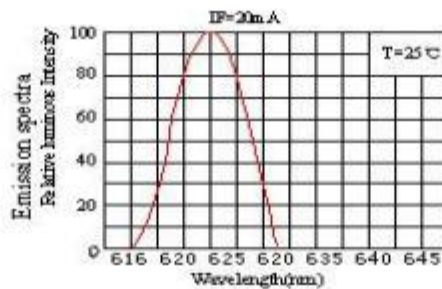
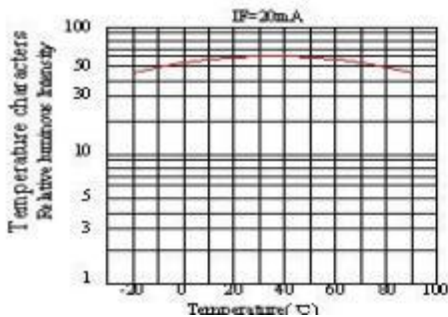


#### Notes:

The data are an typical presentation of the product, Contact customer service for details of technical information and warranty.

The product is sensitive to static antistatic operation environment is recommended

Products are shipped in either bulk bag package or taping.



## ■ Typical Optical/Electrical Characteristics

Color parameters 色参数		Optical Brightness 光亮度	0.00 cd/m <sup>2</sup>
Main Wavelength 主波长	520.7.0 nm	light intensity 光强度	1000 mcd
Peak Wavelength 峰值波长	632.2 nm	luminous flux 光通量	4.8 lm
Peak width 峰值带宽	21.3 nm	luminous power 光功率	0.32 mW
colour coordinates xy 色坐标 xy	(. 1404.7126)	luminous efficacy 发光效率	56.81 lm/W
colour coordinates u'v' 色坐标 u'v'	(.0498.5690)	forward current 正向电流	20.00 mA
colour purity 色纯度	0.758	alternating voltage 交流电压	4.22 V
Color temperature 色温	8400k	AC power 交流电功率	0.084 W

### Notes:

1. Work absolute ratings Ta=25°C humidity=60% 工作常规值 温度=25°C 湿度=60%
2. Tolerance of measurement of forward voltage±0. 1V 正向电压误差范围±0. 1V
3. Test Machine: SSP6612 series LED test system

## LED LAMP RELIABILITY

### ● Test Items And Results

Type	Test Item	REF. Standard	Test Condition	Note	Number of Damaged
Environmental Sequence	Temperature Cycle	JIS C 7021 (1997) A-4	-20℃→25℃→80℃→25℃ 25mins ,5mins ,25mins,5mins	100 cycles	0/ 100
	High Humidity Heat Cycle	JIS C 7021 (1997) A-5	25℃→65℃ 90% RH 24 hrs/1 cycle	10 cycles	0/ 100
	High Temperature Storage	JIS C 7021 (1997) B-10	Ta=80℃	1000hrs	0/ 100
	Humidity Heat Storage	JIS C 7021 (1997) B-11	Ta=60℃ RH=90%	1000hrs	0/ 100
	Low Temperature Storage	JIS C 7021 (1997) B-12	Ta= -25℃	1000hrs	0/ 100
Operation Sequence	Life Test	JIS C 7035 (1985)	Ta=25℃ If=20mA	1000hrs	0/ 100
	High Humidity Heat Life Test	*	60℃ RH=90% If=20mA	500hrs	0/ 100
	Low Temperature Life test	*	Ta= -20℃ If=20mA	1000hrs	0/ 100
Destructive Sequence	Resistance to Soldering Heat	JIS C 7021 (1997) A-11	Tsol=260 ± 5℃, 10sec (3mm from the base of the epoxy bulb)	1 time	0/20
	Solder ability	JIS C 7021 (1997) A-2	Tsol=235 ± 5℃ ,5sec (Using flux)	1 time (over 95%)	0/20
	Lead Pull/Bend Test	JIS C 7021 (1997) A-11	Load 2.5N (0.25kgf) 0°→90°→0° Bending 3 times	No noticeable damage	0/20

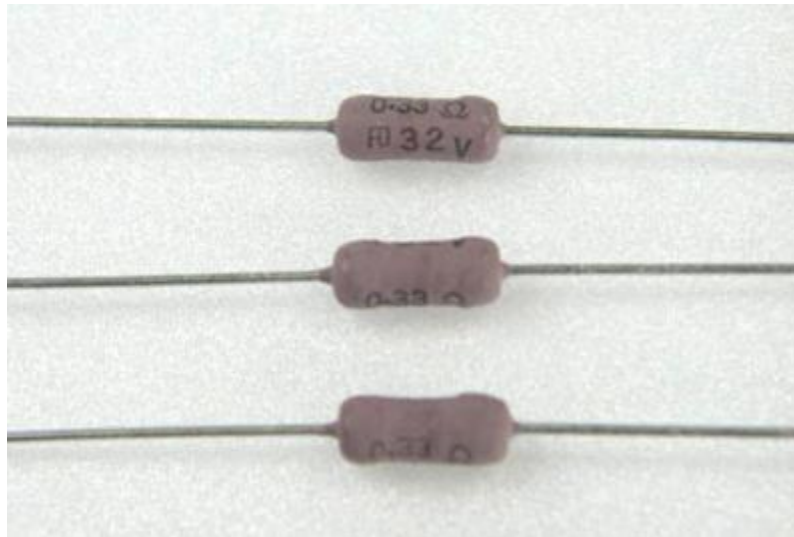
\* Refer to reliability test standard specification for in this line.

### ● Criteria for Judging The Damage

## 6. Resistor Specification ( RMS 1/4W 200kΩ):

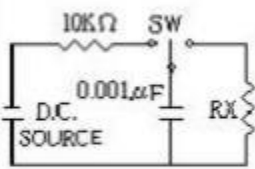
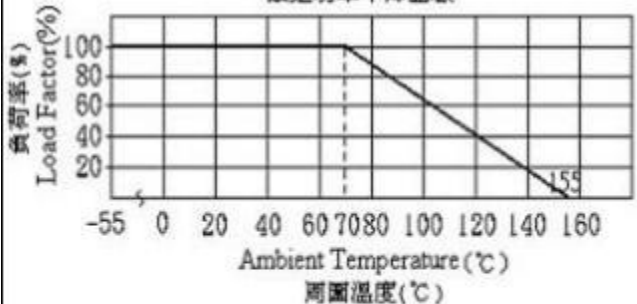
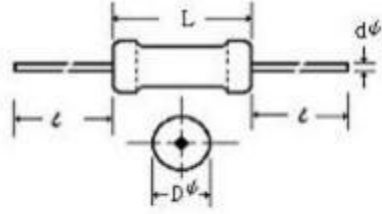
Item	Symbol	Test Condition	Criteria for Judgment	
			Min	Max
Forward Voltage	V <sub>F</sub>	I <sub>F</sub> =20mA	---	Initial data x 1.1
Reverse Current	I <sub>R</sub>	V <sub>R</sub> = 5V	---	Initial data x 2.0
Luminous Intensity	I <sub>V</sub>	I <sub>F</sub> =20mA	Initial data x 0.7	---





### CHARACTERISTICS

ITEM 项目	SPEC 规格	REMARKS 备注
Load life under high temperature 高温负荷寿命	±1.5%	JIS C 5201-1 (4.25.1) Rated voltage at 70°C for 1,000 hours 额定电压70°C 1,000小时
Load life under high humidity 耐湿负荷寿命	±5%	JIS C 5201-1 (4.24) Rated voltage at 40°C, 95% RH for 1,000 hours 额定电压40°C, 95% RH 1,000小时
Temp. coeff of resistance 温度系数	< 1K= ±500 PPM/°C ≧ 100KΩ=±300 ppm/°C >100KΩ=±200 ppm/°C	JIS C 5201-1 Room temp. + 100°C, 30min 室温 + 100°C, 30分钟
Short time overload 短时间过负荷	±1%	JIS C 5201-1 (4.13) 6.25 times the rated power for 5 seconds 6.25倍额定功率 5秒
Temperature cycling 温度循环	±1%	JIS C 5201-1 (4.19) 5 cycles for -25°C±3°C(30min); room temp.(30min) ~ +85°C±3°C(30min) room temp. (30min)
Resistance to soldering heat 焊锡耐热	±1%	JIS C 5201-1 (4.18) 260°C±5°C for 10 seconds(焊锡槽) 350°C±10°C for 3.5 seconds(手焊锡)
Insulation resistance 绝缘电阻	>1,000MΩ	JIS C 5201-1 (4.6.1.1) 500 volt Insulation test 1min 500 V绝缘测试电压1分钟

<p>Pulse withstanding voltage 脉冲</p>	<p>±20%</p>	<p>■The following discharge cycle is repeated in the circuit of the left fig. 2.5 sec. ON 2.5 sec. OFF 50 cycles. With following DC pulse test voltage ■ Pulse voltage:1/6W,S1/4W: 3KV. ≥1/4W: 100KΩ: (3KV); 100KΩ-620KΩ: (5KV); &gt; 620KΩ: (10KV)</p> 
<p>DERATING CURVE 额定功率下降曲线</p> 		 <p>Various type of forming &amp; taping are available 提供插装的造型与带装 Coating color: RMU1/4W,RMU1/6W、dark blue, other、pink。 涂装颜色: RMU1/4W,RMU1/6W蓝色,其他粉红色。</p>

### ■ CHARACTERISTICS

Model 型名	Power Rating 额定功率 (W)	Resistance Range E-24 阻值范围 Ω	Maximum Working Voltage 最高使用 电压	Dielectric Withstandi ng Voltage 耐电压	Dimension 尺寸 (mm)			
					L	D φ	t	d φ
RMU1/4W 、 RMS1/2W	1/4,1/2	10Ω ~ <100M	1600V	700V	6±0.3	2.4±0.1	28±2	0.6±0.05