



乐清市裕林电子有限公司
Yueqing Yulin Electrical Co., Ltd

Address: F/6 No.19 Keaisi road xiangyang industrial zone road tantou liushi yueqing wenzhou
Tel:0577-27878383
website: www.pilotlamp.cn
Fax:0577-27878383-8027

SPECIFICATION FOR APPROVAL

规格说明书

CUSTOMER'S CODE

本厂代码: _____

DESCRIPTION

品 FLM19-10FESM 平头环形螺丝脚自复金属按钮

SPECIFICATION

规格: 19mm

DATE

编制日期: _____

PART NO.

本厂型号: _____

REFERENCE No.

档案编号: _____

Approved By Customer 编制	Qualified By 审核	Form Designer 批准

FILN 飞林



乐清市裕林电子有限公司

Yueqing Yulin Electrical Co., Ltd

Address: F/6 No.19 Keaisi road xiangyang industrial zone road tantou liushi yueqing wenzhou

Tel:0577-27878383

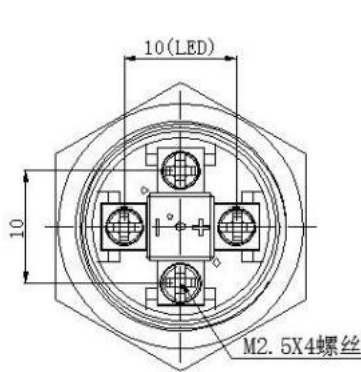
website: www.pilotlamp.cn

Fax:0577-27878383-8027

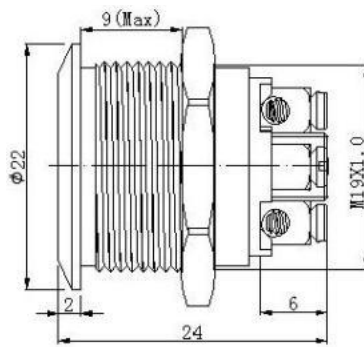
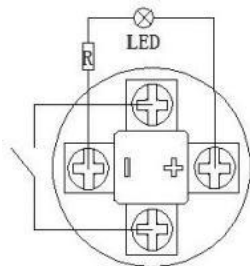
1. 图片 Picture:



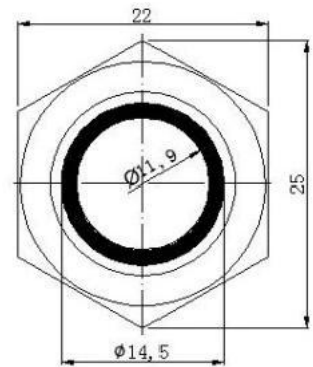
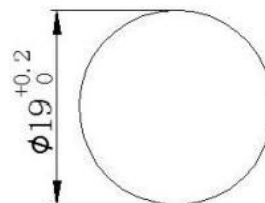
2. 图纸drawing



电气简图



安装孔图



FILN 飞林



乐清市裕林电子有限公司

Yueqing Yulin Electrical Co., Ltd

Address: F/6 No.19 Keaisi road xiangyang industrial zone road tantou liushi yueqing wenzhou

Tel:0577-27878383

Fax:0577-27878383-8027

website: www.pilotlamp.cn

3 配件材料 component material

配件名 Component name	材料material
导光按键	PC塑料 PC plastic
按键	304不锈钢 304Stainless steel
外壳套筒	H59黄铜/304不锈钢 H59 nickel plated brass/304Stainless steel
按钮引脚	H62铜合金
防水圈 rubber ring	SIL硅胶 SIL silica gel
螺帽 nut	H59黄铜 H59 nickel plated brass
底座 housing	PA66+GF20%阻燃尼龙 PA66+GF20% nylon
光源 Light source	LED LED灯
电阻 Resistor	金属膜电阻 Metal film
触点	银触点AgCd012

4 性能参数 performance parameter

项目items	参数parameter
开关额定电压 Rated voltage	36V DC 250V AC
开关额定电流 rated current	3A DC 1A AC
指示灯额定电压	3V-220V
指示灯额定电流	≤20mA
额定功率 rated power	180W(DC) 250W(AC)
绝缘耐压 Insulation and voltage resistance	1800V
接触电阻: Point resistanc:	≤50mΩ
绝缘电阻: Isolation resistance:	≥100MΩ
机械寿命	50万次
电气寿命 electrical life	10万次
工作环境温度 Operating temperature	-25℃~+85℃
防护等级(头部) IP degree	IP67 IK09
指示灯颜色	红蓝绿黄白色

FILN飞林



乐清市裕林电子有限公司

Yueqing Yulin Electrical Co., Ltd

Address: F/6 No.19 Keaisi road xiangyang industrial zone road tantou liushi yueqing wenzhou

Tel:0577-27878383

website: www.pilotlamp.cn

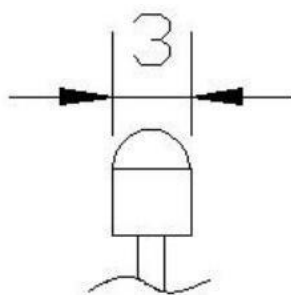
Fax:0577-27878383-8027

4. Detailed Picture:

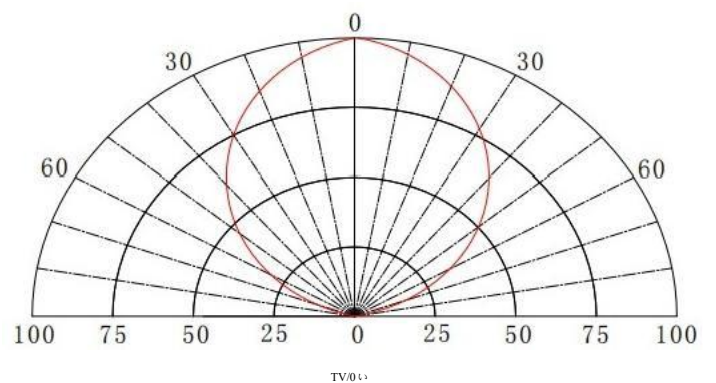


5.LED Specification:

Emitter 外型图



Spatial Distrbution





Absolute Maximum Rating 极限工作参数

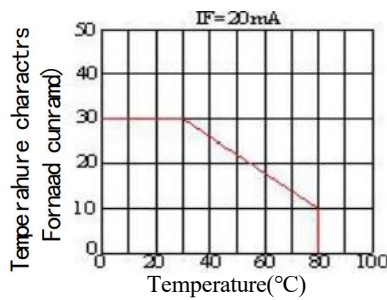
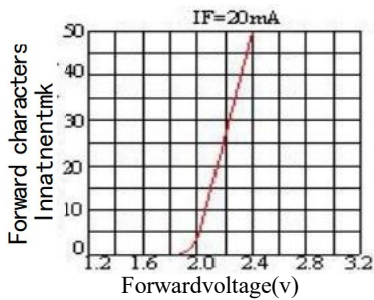
参数 Parameter	符号 Symbol	单位 Unit	极限参数 Maximum Rating
耗散功率 Power Dissipation	P	MW	60
连续正向电流 Continuous Forward Current	IF	MA	25
反向电压 Reverse Voltage	VR	V	5
工作温度范围 Operating Temperature Range	Top	°C	-25 to +80
存放温度范围 Storage Temperature Range	Tst	°C	-25 to +90
最高焊接温度 Soldering Temperature	Tso	°C	260(for 5 second)

*Ifp Conditions: Pulse Wide≤10msec≤1/10

瞬间脉冲电流

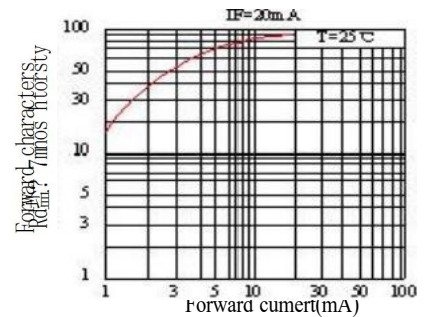
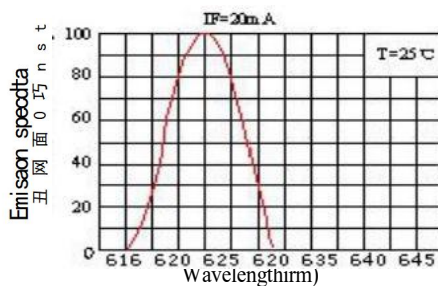
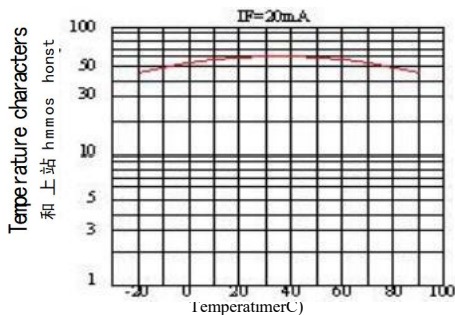
*Tsol Conditions:3mm from the base of epoxy bulb 最高焊接温度距胶体 3mm

Typical electrical-optical Characteristics curvers



Notes:

The data are an typical presentation of the product, Contact customer service for details of technical information and warranty. The product is sensitive to static antistatic operation environment is recommended Products are shipped in either bulk bag package or taping.



FILN 飞林



乐清市裕林电子有限公司

Yueqing Yulin Electrical Co., Ltd

Address: F/6 No.19 Keaisi road xiangyang industrial zone road tantou liushi yueqing wenzhou

Tel:0577-27878383

website: www.pilotlamp.cn

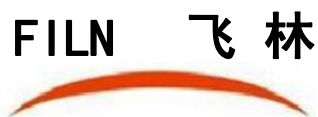
Fax:0577-27878383-8027

Typical Optical/Electrical Characteristics 光电特性参数

Color parameters 色参数		Optical Brightness 光亮度	0.00 cd/m ²
Main Wavelength 主波长	520.7.0 nm	light intensity 光强度	1000 mcd
Peak Wavelength 峰值波长	632.2 nm	luminous flux 光通量	4.8 lm
Peak width 峰值带宽	21.3 nm	luminous power 光功率	0.32 mW
colour coordinates xy 色坐标xy	(.1404.7126)	luminous efficacy 发光效率	56.81 lm/W
colour coordinates uv' 色坐标u'v'	(.0498.5690)	forward current 正向电流	20.00 mA
colour purity 色纯度	0.758	alternating voltage 交流电压	4.22 V
Color temperature 色温	8400k	AC power 交流电功率	0.084 W

Notes:

- 1.Work absolute ratings Ta=25°C humidity=60% 工作常规值温度=25°C 湿度=60%
- 2.Tolerance of measurement of forward voltage±0.1V 正向电压误差范围±0.1V
- 3.Test Machine: SSP6612 series LED test system



乐清市裕林电子有限公司

Yueqing Yulin Electrical Co., Ltd

Address: F/6 No.19 Keaisi road xiangyang industrial zone road tantou liushi yueqing wenzhou

Tel:0577-27878383

website: www.pilotlamp.cn

Fax:0577-27878383-8027

Type	Test Item	REF. Standard	Test Condition	Note	Number of Damaged
Environmental Sequence	Temperature Cycle	JIS C 7021 (1697) A-4	-20°C→25°C→80°C→25°C 30mins, 5mins, 30mins, 5mins	100 cycles	0/100
	High Humidity Heat Cycle	JIS C 7021 (1697) A-5	30°C→65°C 90%RH 24hrs/1cycle	10 cycles	0/100
	High Temperature Storage	JIS C 7021 (1697) B-10	Ta=80°C	1000hrs	0/100
	Humidity Heat Storage	JIS C 7021 (1697) B-11	Ta=60°C RH=90%	1000hrs	0/100
	Low Temperature Storage	JIS C 7021 (1697) B-12	Ta=-30°C	1000hrs	0/100
Operational Sequence	Life Test	JIS C 7035 (1685)	Ta=25°C Ie=20mA	1000hrs	0/100
	High Humidity Heat Life Test		60°C RH=90% Ir=20mA	500hrs	0/100
	Low Temperature Life test		Ta=-20°C Ir=20mA	1000hrs	0/100
Descriptive Sequence	Resistance to Soldering Heat	JIS C 7021 (1697) A-11	Tsol=260±5°C, 10sec (3mm from the base of the epoxy bulb)	1 time	0/20
	Solder ability	JIS C 7021 (1697) A-2	Tsol=235±5°C, 5sec (Using flux)	1 time (over 95%)	0/20
	Lead Pull/Bend Test	JIS C 7021 (1697) A-11	Load 2.5N (0.25kgf) 0°→90°→0° Bending 3 times	No noticeable damage	0/20

LED LAMP RELIABILITY

● Test Items And Results

* Refer to reliability test standard specification for in this line.

● Criteria for Judging The Damage

Item	Symbol	Test Condition	Criteria for Judgment	
			Min.	Max
Forward Voltage	V _F	IF=20mA		Initial data x 1.1
Reverse Current	I _R	VR=5V		Initial data x 2.0
Luminous Intensity	I _v	IF=20mA	Initial data x 0.7	

FILN 飞林



乐清市裕林电子有限公司

Yueqing Yulin Electrical Co., Ltd

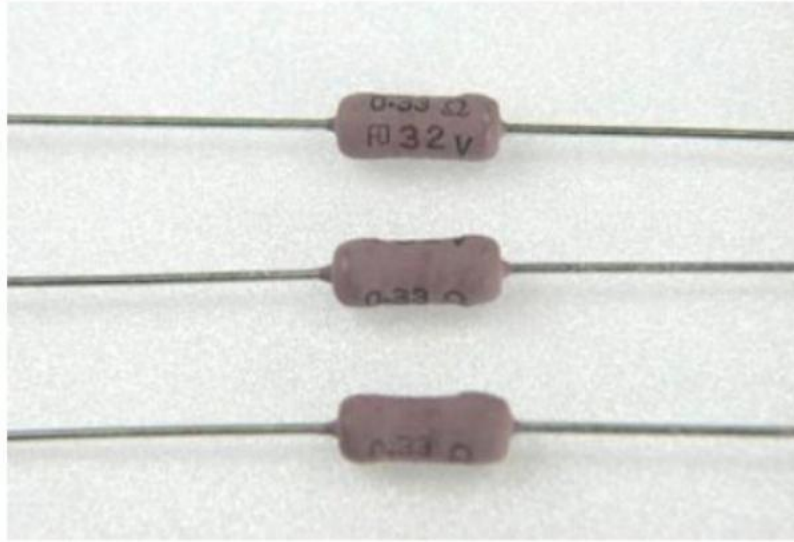
Address: F/6 No.19 Keaisi road xiangyang industrial zone road tantou liushi yueqing wenzhou

Tel:0577-27878383

website: www.pilotlamp.cn

Fax:0577-27878383-8027

6.Resistor Specification(RMS 1/4W 200k2):



CHARACTERISTICS 性能

ITEM 项目	SPEC规格	REMARKS 备注
Load life under high temperature 高温负荷寿命	±1.5%	JIS C 5201-1 (4.25.1) Rated voltage at 70°C for 1,000 hours 额定电压70°C 1,000小时
Load life under high humidity 耐湿负荷寿命	±5%	JIS C 5201-1 (4.24) Rated voltage at 40°C, 95% RH for 1,000 hours 额定电压40°C, 95% RH 1.000小时
Temp. coeff of resistance 温度系数	<1K=±500 PPM/°C ≤100KQ=±300 ppm/°C >100KQ=±200 ppm/°C	JIS C 5201-1 Room temp.+100°C, 30min 室温+100°C, 30分钟
Short time overload 短时间过负荷	±1%	JIS C 5201-1 (4.13) 6.25 times the rated power for 5 seconds 6.25倍额定功率5秒
Temperature cycling 温度循环	±1%	JIS C 5201-15 cycles for -25°C ±3°C (30min); room temp. (30min) (4.19) ~+85°C ±3°C (30min) room temp. (30min)
Resistance to soldering heat 焊锡耐热	±1%	JIS C 5201-1 (4.18) 260°C ±5°C for 10 seconds (焊锡槽) 350°C ±10°C for 3.5 seconds (手焊锡)
Insulation resistance 绝缘电阻	>1,000MQ	JIS C 5201-1 (4.6.1.1) 500 volt Insulation test 1min 500 V绝缘测试电压1分钟

FILN 飞林



乐清市裕林电子有限公司

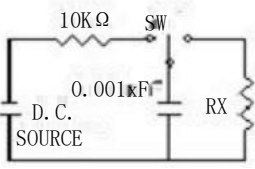

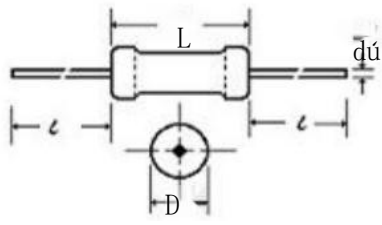
Yueqing Yulin Electrical Co., Ltd

Address: F/6 No.19 Keaisi road xiangyang industrial zone road tantou liushi yueqing wenzhou

Tel:0577-27878383

website: www.pilotlamp.cn

Fax:0577-27878383-8027

<p>Pulse withstanding voltage 脉冲</p>	<p>±20%</p>	<p>The following discharge cycle is repeated in the circuit of the left fig. 2.5 sec.ON 2.5 sec.OFF 50 cycles With following DC pulse test voltage</p>  <p>Pulse voltage:1/6W, S1/4W:3KV. ≥1/4W:100KQ: (3KV); 100KQ-620KQ: (5KV); >620KQ: (10KV)</p>
<p>DERATING CURVE 额定功率下降曲线</p>  <p>Ambient Temperature(°C) 周困温度(°C)</p>		<p>Various type of foming & taping are available 提供插装的造型与带装 Coating color:RMU1/4W, RMU1/6W、dark blue, other、pink. 涂装颜色: RMU1/4W, RMU1/6W蓝色, 其他粉红色。</p>

L CHARACTERISTICS 性能

Model 型名	Power Rating 额定功率 (W)	Resistance Range E-24 阻值范围 Q	Maximum Working Voltage 最高使用 电压	Dielectric Withstandi ng Voltage 耐电压	Dimension尺寸(mm)			
					L	D φ	l	d φ
RMU1/4W RMS1/2W	1/4, 1/2	10 Ω ~ <100M	1600V	700V	6 ± 0.3	2.4 ± 0.1	28 ± 2	0.6 ± 0.05