



乐清市裕林电子有限公司

Yueqing Yulin Electrical Co., Ltd

website: www.indicatorlight.com

Tel: 0577-27878383

Fax: 0577-27878383-8027

Address: #19 Ke'aisi Road, Xiangyang industrial area, Liushi Town, Yueqing City

## SPECIFICATION FOR APPROVAL

### 规格说明书

CUSTOMER'S CODE

本厂代码:

FLM19-FJ-6-EX000-S10Z

DESCRIPTION

品名:

大电流金属按钮

SPECIFICATION

规格:

19mm

DATE

编制日期:

PART NO.

本厂型号:

REFERENCE No.

档案编号:

| Approved By Customer<br>编制 | Qualified By<br>审核 | Form Designer<br>批准 |
|----------------------------|--------------------|---------------------|
|                            |                    |                     |



# 乐清市裕林电子有限公司

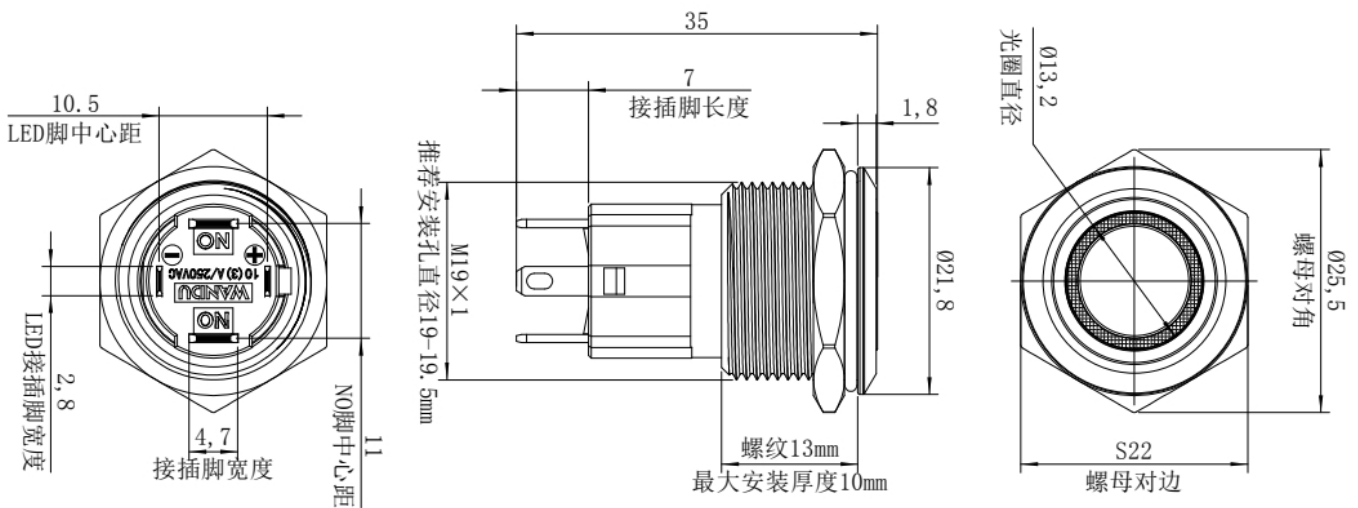
Yueqing Yulin Electrical Co., Ltd

website: [www.indicatorlight.com](http://www.indicatorlight.com) Tel: 0577-27878383 Fax: 0577-27878383-8027  
Address: #19 Ke'aisi Road, Xiangyang industrial area, Liushi Town, Yueqing City

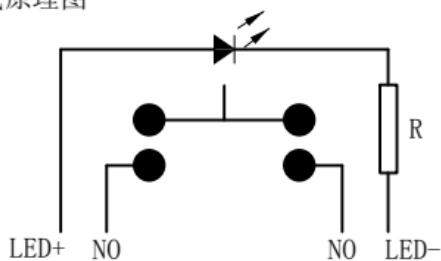
## 1. 图片 Picture:



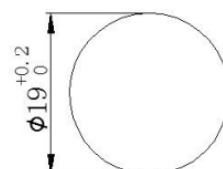
## 2. 图纸 drawing



电气原理图



安装孔图





乐清市裕林电子有限公司

Yueqing Yulin Electrical Co., Ltd

website: www.indicatorlight.com

Tel: 0577-27878383

Fax: 0577-27878383-8027

Address: #19 Ke'aisi Road, Xiangyang industrial area, Liushi Town, Yueqing City

### 3 配件材料 component material

| 配件名<br>Component name | 材料 material  |
|-----------------------|--|
| 按键                    | PC 塑料<br>Polycarbonate                             |
| 底座                    | PA66+GF20%阻燃尼龙                                     |
| 按钮引脚                  | 黄铜镀银   |
| 外壳套筒                  | H59 镀镍/SUS304/铝合金阳极氧化                              |
| 灯珠                    | 红、黄、蓝、绿、白（可定制）<br>Red, yellow, blue, green, white、 |
| 螺母扭力                  | 5~14N.m  |
|                       |  |
|                       |  |
|                       |  |
|                       |  |
|                       |  |
|                       |  |
|                       |  |
|                       |  |

### 4 性能参数 performance parameter

| 项目 items                        | 参数 parameter                           |
|---------------------------------|--|
| 开关额定电压                          | 1.5V-250VAC/DC                         |
| 开关额定电流                          | 3mA~15A                                |
| 工作环境                            | -30℃~+80℃                              |
| 灯珠寿命                            | 40000 小时                               |
| 工作环境温度<br>Operating temperature | -30℃~+80℃                              |
| 防护等级(头部)<br>IP degree           | IK10                                   |
| 额定功率<br>rated power             |  |
| 绝缘耐压<br>Insulation and voltage  | 1900VACmin                             |
| 接触电阻:<br>Point resistanc:       | ≤50mΩ                                  |
| 绝缘电阻:<br>Isolation resistance:  | ≥1000mΩ                                |
| 机械寿命                            | 自锁式-25 万/次 自复式-50 万/次                  |
| 电气寿命<br>electrical life         | 0.2A/250VAC: 20 万次<br>15A/250VAC: 5 万次 |